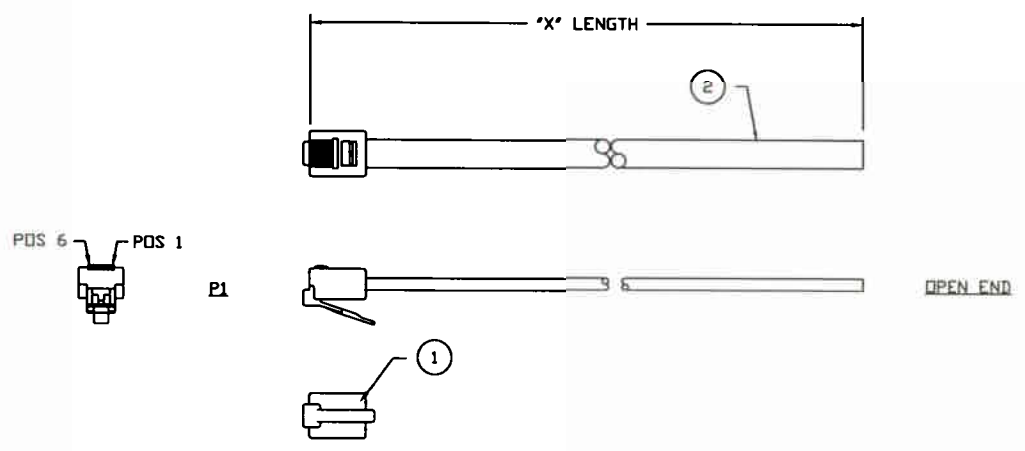


THESE DRAWINGS AND SPECIFICATIONS ARE THE SOLE PROPERTY OF I/O INTERCONNECT INC. AND SHALL NOT BE REPRODUCED, COPIED, OR USED IN ANY MANNER WITHOUT THE PRIOR WRITTEN CONSENT OF I/O INTERCONNECT INC. OR ITS AFFILIATED SUBSIDIARIES.

DWG. NO.	ZONE	REV.	DESCRIPTION	DATE	APPROVED
XX6-522-D		C	ECN C285	08/07/01	K.C.
		D	ADD NOTE & CHANGE P/N TO ROHS COMPLIANT PER ECN D630	04/21/05	M.G.

WIRE DIAGRAM

P1	OPEN END
1	WHITE
2	BLACK
3	RED
4	GREEN
5	YELLOW
6	BLUE



NOTES: UNLESS OTHERWISE SPECIFIED.

1. CABLE TO BE BUNDLED AND TWIST TIED.
2. TEST CABLE FOR ALL OPENS & SHORTS.
3. PACKAGE CABLE ASSEMBLY INDIVIDUALLY IN PLASTIC BAG. PACKAGE INDIVIDUAL BAG PER LOT NUMBER QUANTITIES.
4. MARK OUTSIDE OF SHIPPING BOX WITH CUSTOMER PART NUMBER.
5. PLACE BAR CODE LABEL ON THE OUTSIDE OF EACH SHIPPING BOX LABEL DETAIL SEE DWG 090-990-001.
6. ALL METRICAL SHOULD BE ROHS COMPLIANT.

ITEM	QTY	MFG.	IOI PART NO.	DESCRIPTION
2	"X"	IOI	GLF-120-610-020	MODULAR CABLE, 26 AWG (7/34) BARE COPPER, 6 CONDUCTOR, UNSHIELDED, WHITE PVC. ROHS COMPLIANT.
1	1 PC	IOI	GLF-325-661-50X	CONNECTOR, MODULAR PLUG, 6 POSITION, 6 CONDUCTOR, 50u" AW, FLAT TYPE EXIT. ROHS COMPLIANT.

CABLE ASSEMBLY PARTS LIST

T.B.D.	GLF-466-256-522-D	25.0 FT ± 4.0 IN 7.62 M ± 101.6 MM
T.B.D.	GLF-466-146-522-D	14.0 FT ± 3.0 IN 4.27 M ± 76.2 MM
H3661-07-ND	GLF-466-076-522-D	7.0 FT ± 2.0 IN 2.13 M ± 50.8 MM
PART NUMBER DIGI-KEY	PART NUMBER I/O INTERCONNECT	LENGTH "X"

THIRD ANGLE PROJECTION

I/O INTERCONNECT
SANTA ANA, CALIFORNIA

DR BY: JOHN BA
DR CHECKED: M/EL/05

UNLESS OTHERWISE NOTED:
1) DIMENSIONS ARE IN INCHES (MILLIMETER)
2) TOLERANCES:
X.XX ± 0.25 (6.35)

TITLE: 6P6C MODULAR TO OPEN END, WHITE, CABLE ASSEMBLY
P/N: H3661-XX-ND

PART NO: GLF-466-XX6-522-D
DWG NO: GLF-466-XX6-522-D

CUSTOMER: DIGI-KEY
REV. D

SCALE: NONE
SHEET 1 OF 1